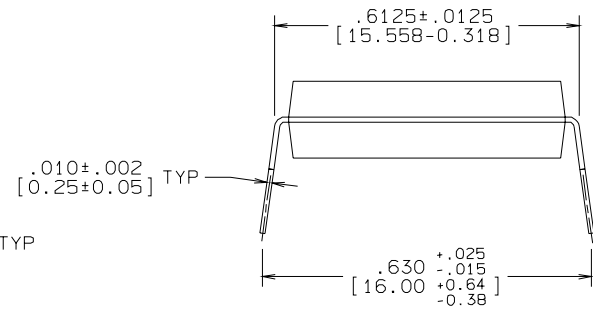
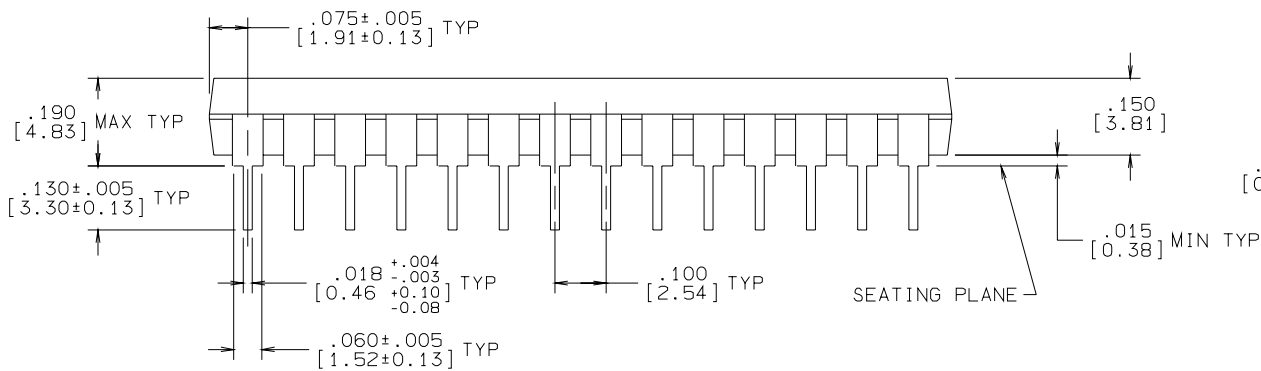
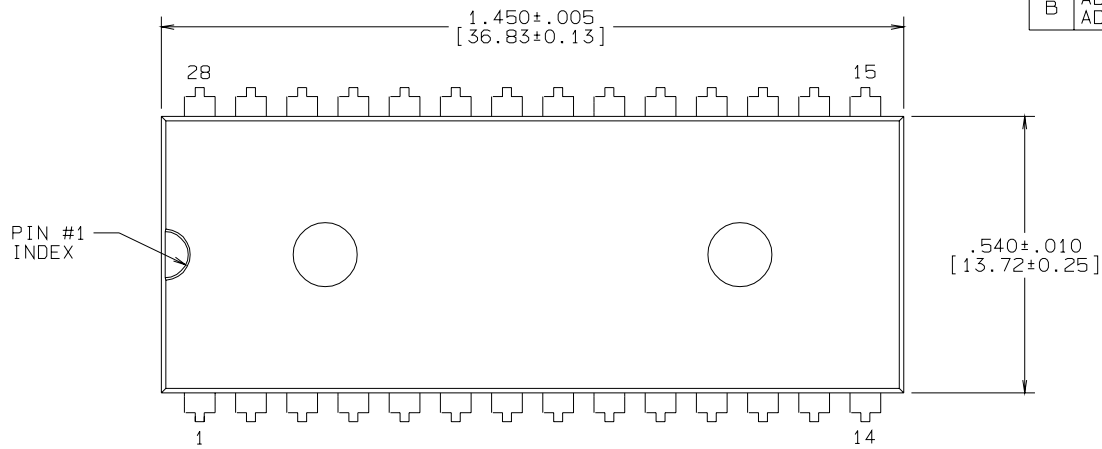


REVISIONS				
LTR	DESCRIPTION	E.C.N.	DATE	BY/APP'D
A	RELEASE TO DOCUMENT CONTROL	09811	07/26/93	MS/DP
B	ADD SUBCONTR. & DWG# TO NOTE 2; ADD TYP TO DIM .075±.005	09940	08/24/93	MS/



NOTES: UNLESS OTHERWISE SPECIFIED

- STANDARD LEAD FINISH:  
200 MICRINCHES / 5.08 MICROMETERS MINIMUM  
LEAD/TIN: 37/63 OR 15/85 ON ALLOY 42 OR COPPER.
- REFERENCE JEDEC REGISTRATION MS-011,  
VARIATION AB, DATED 06/88;  
ANAM DWG #00286, REV 2, DATED 02/16/90.

CONTROLLING DIMENSION: INCH

APPROVALS	DATE	NATIONAL SEMICONDUCTOR CORPORATION 2900 Semiconductor Drive, Santa Clara, CA 95052-8090			
DRAWN MARTA SUCHY	07/26/93	MOLDED DIP, 28 LEAD, .600 CENTERS, SUBCONTRACTOR PKG			
DFTG. CHK.					
ENGR. CHK.					
APPROVAL		SCALE N/A	SIZE B	DRAWING NUMBER MKT-NA28E	REV B
PROJECTION INCH [MM]		DO NOT SCALE DRAWING		SHEET 1 OF 1	